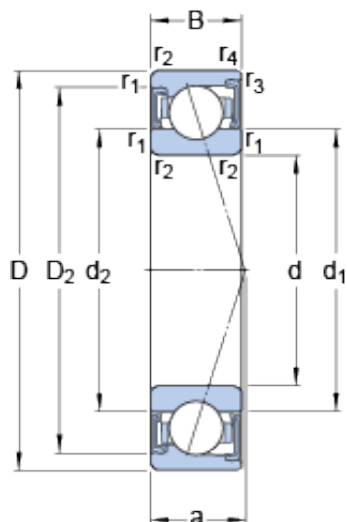




NSK bearing Trading Co., Ltd



120 mm x 180 mm x 28 mm 120 mm x 180 mm x 28 mm SKF S7024 CD/HCP4A angular contact ball bearings

Bearing No. S7024 CD/HCP4A

S7024 CD/HCP4A Bearing 2D drawings and 3D CAD models

Size	180x120x28 mm
Bore Diameter	180 mm
Outer Diameter	120 mm
Width	28 mm
d	120 mm
D	180 mm
B	28 mm
d ₁	138.5 mm
d ₂	138.5 mm
D ₂	165.05 mm
r _{1,2} - min.	2 mm
r _{3,4} - min.	1 mm
a	34.2 mm
d _a - min.	129 mm
d _a - max.	137.9 mm
d _b - min.	129 mm
d _b - max.	137.9 mm
D _a - max.	171 mm
D _b - max.	175 mm
r _a - max.	2 mm
r _b - max.	1 mm
Basic dynamic load rating - C	114 kN
Basic static load rating - C ₀	122 kN



NSK bearing Trading Co., Ltd

Fatigue load limit - P_u	4.2 kN
Limiting speed for grease lubrication	8500 r/min
Ball - D_w	19.05 mm
Ball - z	22
Calculation factor - f_0	15.7
Preload class A - G_A	430 N
Preload class B - G_B	860 N
Preload class C - G_C	1720 N
Preload class D - G_D	3440 N
Calculation factor - f	1.17
Calculation factor - f	1
Calculation factor - f_{2A}	1
Calculation factor - f_{2B}	1.02
Calculation factor - f_{2C}	1.05
Calculation factor - f_{2D}	1.09
Calculation factor - f_{HC}	1.02
Preload class A	146 N/micron
Preload class B	198 N/micron
Preload class C	278 N/micron
Preload class D	404 N/micron
d_1	138.5 mm
d_2	138.5 mm
D_2	165.05 mm
$r_{1,2}$ min.	2 mm
$r_{3,4}$ min.	1 mm
d_a min.	129 mm
d_a max.	137.9 mm
d_b min.	129 mm
d_b max.	137.9 mm



NSK bearing Trading Co., Ltd

D_a max.	171 mm
D_b max.	175 mm
r_a max.	2 mm
r_b max.	1 mm
Basic dynamic load rating C	114 kN
Basic static load rating C_0	122 kN
Fatigue load limit P_u	4.25 kN
Attainable speed for grease lubrication	8500 r/min
Ball diameter D_w	19.05 mm
Number of balls z	22
Preload class A G_A	430 N
Static axial stiffness, preload class A	146 N/ μ m
Preload class B G_B	860 N
Static axial stiffness, preload class B	198 N/ μ m
Preload class C G_C	1720 N
Static axial stiffness, preload class C	278 N/ μ m
Preload class D G_D	3440 N
Static axial stiffness, preload class D	404 N/ μ m
Calculation factor f	1.17
Calculation factor f_1	1
Calculation factor f_{2A}	1
Calculation factor f_{2B}	1.02
Calculation factor f_{2C}	1.05
Calculation factor f_{2D}	1.09
Calculation factor f_{HC}	1.02
Calculation factor f_0	15.7
Mass bearing	1.78 kg