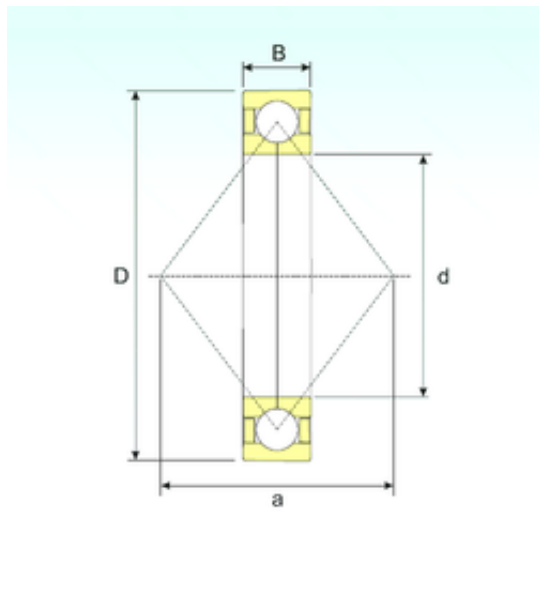




NSK bearing Trading Co., Ltd



QJ 1268 Bearing 2D drawings and 3D CAD models

340 mm x 620 mm x 118 mm 340 mm x 620 mm x 118 mm ISB QJ 1268 angular contact ball bearings

Bearing No. QJ 1268

Size	340x620x118 mm
Bore Diameter	340 mm
Outer Diameter	620 mm
Width	118 mm
d	340 mm
D	620 mm
B	118 mm
C	118 mm
a	408 mm
Weight	165 Kg
Basic dynamic load rating (C)	1060 kN
Basic static load rating (C0)	1900 kN
(Grease) Lubrication Speed	650 r/min