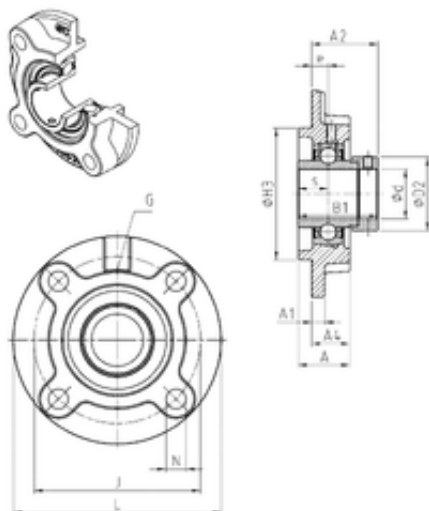




# NSK bearing Trading Co., Ltd



## SNR EXFC202 bearing units

Bearing No. EXFC202

Bore Diameter	15 mm
d	15 mm
H3	62 mm
A4	20,5 mm
e	10 mm
s	17 mm
A	25,5 mm
A1	6 mm
B1	43,5 mm
D2	33,3 mm
J	78 mm
L	100 mm
N	12 mm
Thread (G)	M6x1
A2	36,5 mm
Weight	0,7 Kg
Basic dynamic load rating (C)	12,8 kN

EXFC202 Bearing 2D drawings and 3D CAD models