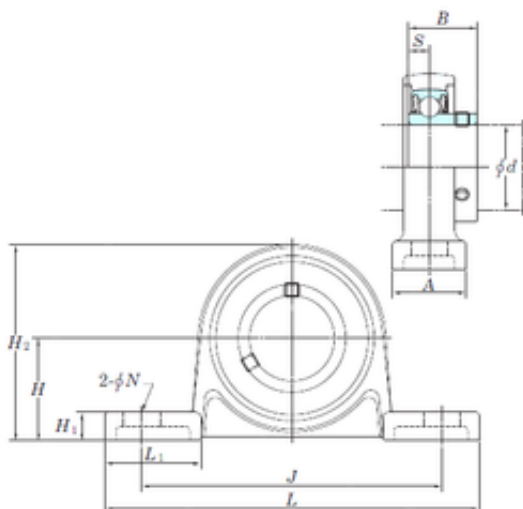




NSK bearing Trading Co., Ltd

KOYO USP001S6 bearing units

Bearing No. USP001S6



USP001S6 Bearing 2D drawings and 3D CAD models

Bore Diameter	12 mm
Width	15 mm
d	12 mm
A	16 mm
B	15 mm
H	19 mm
H1	5 mm
H2	37 mm
J	56 mm
L	71 mm
L1	18,5 mm
N	7 mm
S	5 mm
Bolt (G)	M6
Weight	0,08 Kg
Basic dynamic load rating (C)	5,1 kN
Basic static load rating (C0)	4,3 kN