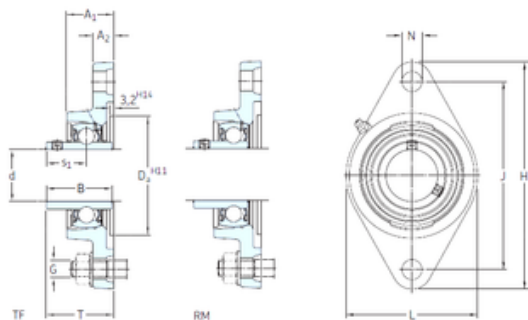




**SKF FYT 1.3/8 TF bearing units**



Bearing No. FYT 1.3/8 TF

Bore Diameter	34,925 mm
Width	42,9 mm
d	34,925 mm
s1	25,4 mm
A1	34,5 mm
B	42,9 mm
G	12 mm
H	156 mm
J	130,2 mm
L	96 mm
N	14,3 mm
T	46,4 mm
A2	13 mm
Weight	1,27 Kg
Basic dynamic load rating (C)	25,5 kN
Basic static load rating (C0)	15,3 kN
Fatigue load limit (Pu)	0,655
Category	Flange Block Bearings
Inventory	0.0
Manufacturer Name	SKF
Minimum Buy Quantity	N/A
Weight / Kilogram	1.27
Product Group	M06110
Number of Mounting Holes	2
Mounting Method	Set Screw
Housing Style	2 Bolt Flange Block

FYT 1.3/8 TF Bearing 2D drawings and 3D CAD models



## NSK bearing Trading Co., Ltd

Rolling Element	Ball Bearing
Housing Material	Cast Iron
Expansion / Non-expansion	Non-expansion
Mounting Bolts	1/2 Inch
Relubricatable	Yes
Insert Part Number	YAR 207-106-2F
Seals	M Seal
Housing Configuration	1 Piece Solid
Pilot Configuration	No Pilot
Inch - Metric	Inch
Long Description	2 Bolt Flange Block; 1-3/8" Bore; 5.1" Bolt Circle; 5-1/8" Bolt Spacing; 1 Piece Solid; Set Screw Mount; Cast Iron; Ball Bearing; 1-11/16" Length Thru Bore; Relubricatable; M Seal
Other Features	Single Row   Standard Duty   Wide Inner Race   Open End   Has Flinger   Y Bearing
Category	Flange Block
UNSPSC	31171501
Harmonized Tariff Code	8483.20.40.40
Noun	Bearing
Keyword String	Flanged
Manufacturer URL	<a href="http://www.skf.com">http://www.skf.com</a>
Manufacturer Item Number	FYT 1.3/8 TF
Weight / LBS	2.8
Bore	1.375 Inch   34.925 Millimeter
Cartridge Pilot Diameter	0 Inch   0 Millimeter
Cartridge Pilot Depth	0 Inch   0 Millimeter
Nominal Bolt Circle Diameter Round	5.1 Inch   130 Millimeter



## NSK bearing Trading Co., Ltd

Bolt Spacing	5.125 Inch   130.18 Millimeter
Length Thru Bore	1.688 Inch   42.87 Millimeter