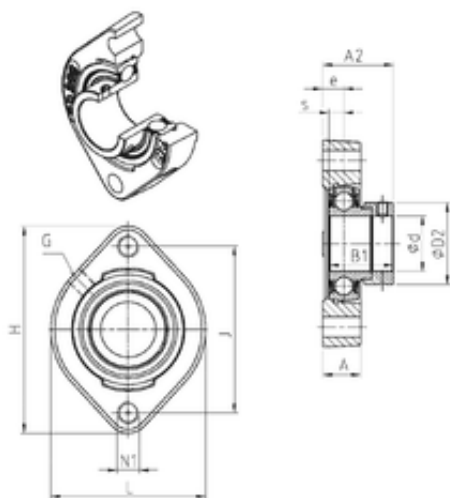




NSK bearing Trading Co., Ltd

SNR ESFD207M100 bearing units

Bearing No. ESFD207M100



| | |
|-------------------------------|---------|
| Bore Diameter | 35 mm |
| d | 35 mm |
| e | 12,4 mm |
| s | 9,5 mm |
| A | 22 mm |
| B1 | 38,9 mm |
| D2 | 55,6 mm |
| H | 126 mm |
| J | 100 mm |
| L | 94 mm |
| Thread (G) | R1/8" |
| A2 | 41,8 mm |
| Thread (N1) | M12 |
| Weight | 1 Kg |
| Basic dynamic load rating (C) | 25,7 kN |

ESFD207M100 Bearing 2D drawings and 3D CAD models