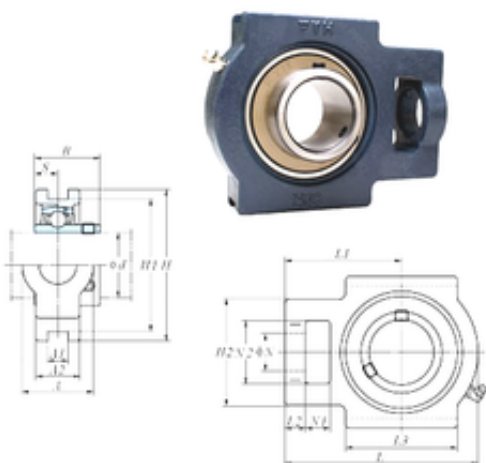




# NSK bearing Trading Co., Ltd

## FYH UCT217 bearing units

Bearing No. UCT217



Bore Diameter	85 mm
d	85 mm
L2	29 mm
L3	157 mm
A	73 mm
A1	30 mm
B	85,7 mm
H	198 mm
H1	173 mm
H2	124 mm
L	260 mm
L1	162 mm
N	48 mm
N1	38 mm
S	34,1 mm
A2	54 mm
N2	73 mm
Weight	11 Kg
Basic dynamic load rating (C)	84 kN
Basic static load rating (C0)	61,9 kN

UCT217 Bearing 2D drawings and 3D CAD models