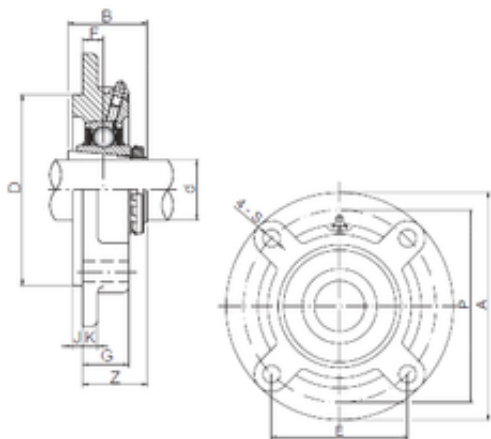




NSK bearing Trading Co., Ltd

35 mm x 100 mm x 46 mm 35 mm x 100 mm x 46 mm ISO UKFC208 bearing units



Bearing No. UKFC208

Bore Diameter	35 mm
d	35 mm
P	120 mm
Z	35,5 mm
A	145 mm
B	46 mm
D	100 mm
E	84,8 mm
F	11 mm
G	26 mm
J	10 mm
K	9 mm
S	14 mm
Bolt (G)	M12

UKFC208 Bearing 2D drawings and 3D CAD models