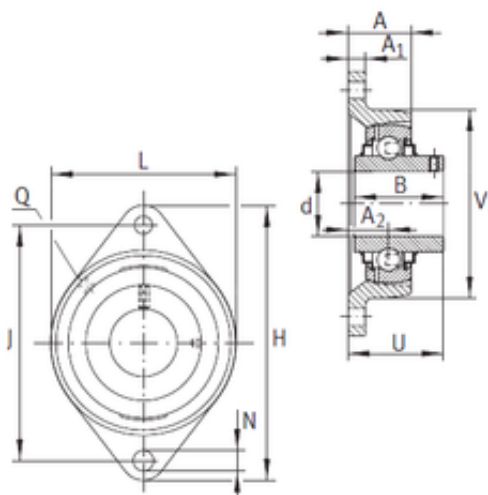




INA RCJTY30-N bearing units



Bearing No. RCJTY30-N

Bore Diameter	30 mm
d	30 mm
V	80 mm
U	42,2 mm
Thread (Q)	Rp1/8
A	29 mm
A1	12 mm
B	38,1 mm
H	142 mm
J	116,5 mm
L	80 mm
N	11,5 mm
A2	20 mm
Weight	0,88 Kg
Basic dynamic load rating (C)	19,5 kN
Category	Flange Block Bearings
Inventory	0.0
Manufacturer Name	SCHAEFFLER GROUP
Minimum Buy Quantity	N/A
Weight / Kilogram	0.88
EAN	4012802796360
Product Group	M06110
Number of Mounting Holes	2
Mounting Method	Set Screw
Housing Style	2 Bolt Flange Block
Rolling Element	Ball Bearing

RCJTY30-N Bearing 2D drawings and 3D CAD models



## NSK bearing Trading Co., Ltd

Housing Material	Cast Iron
Expansion / Non-expansion	Non-expansion
Mounting Bolts	11.5 Millimeter
Relubricatable	Yes
Insert Part Number	GYE30KRRB
Seals	Double Land Riding Rubber Contact
Housing Configuration	1 Piece Solid
Pilot Configuration	No Pilot
Inch - Metric	Metric
Long Description	2 Bolt Flange Block; 30MM Bore; 117MM Bolt Circle; 116.5MM Bolt Spacing; 1 Piece Solid; Set Screw Mount; Cast Iron; Ball Bearing; 38.1MM Length Thru Bore; Relubricatable; Double Land Riding Rubber Con
Other Features	Single Row   With Grub Screw
Category	Flange Block
UNSPSC	31171501
Harmonized Tariff Code	8483.20.40.40
Noun	Bearing
Keyword String	Flanged
Manufacturer URL	<a href="http://www.ina.com">http://www.ina.com</a>
Manufacturer Item Number	RCJTY30
Weight / LBS	2.205
Length Thru Bore	1.5 Inch   38.1 Millimeter
Bolt Spacing	4.587 Inch   116.5 Millimeter
Cartridge Pilot Diameter	0 Inch   0 Millimeter
Bore	1.181 Inch   30 Millimeter
Cartridge Pilot Depth	0 Inch   0 Millimeter



## NSK bearing Trading Co., Ltd

Nominal Bolt Circle Diameter Round	4.6 Inch   117 Millimeter
---------------------------------------	---------------------------