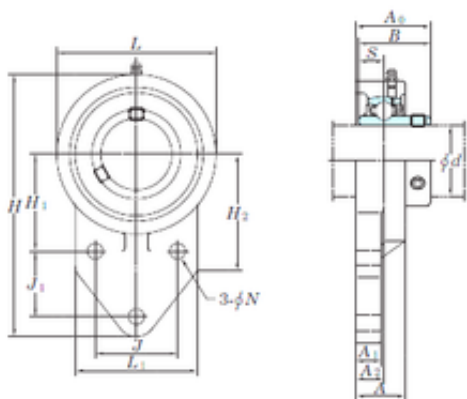




KOYO UCFB207 bearing units



Bearing No. UCFB207

Bore Diameter	35 mm
d	35 mm
A0	44,4 mm
A	33 mm
A1	15 mm
B	42,9 mm
H	144 mm
H1	55 mm
H2	62 mm
J	46 mm
L	90 mm
L1	70 mm
N	9,5 mm
S	17,5 mm
Bolt (G)	M8
A2	19 mm
J1	32 mm
Weight	1,3 Kg
Basic dynamic load rating (C)	25,7 kN
Basic static load rating (C0)	15,4 kN

UCFB207 Bearing 2D drawings and 3D CAD models