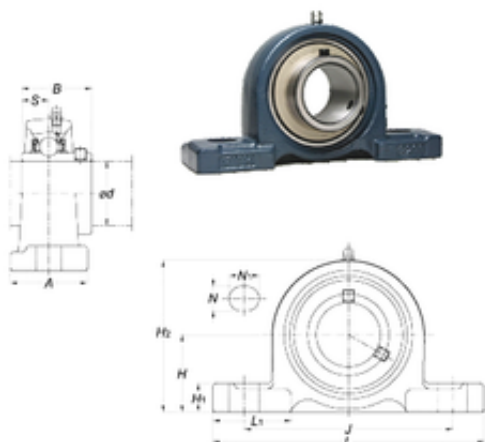




NSK bearing Trading Co., Ltd

FYH UCP305 bearing units



Bearing No. UCP305

Bore Diameter	25 mm
Width	38 mm
d	25 mm
A	45 mm
B	38 mm
H	45 mm
H1	16 mm
H2	85 mm
J	132 mm
L	175 mm
L1	55 mm
N	17 mm
N1	20 mm
S	15 mm
Bolt (G)	M14
Weight	1,7 Kg
Basic dynamic load rating (C)	21,2 kN
Basic static load rating (C0)	10,9 kN
Category	Mounted Units & Inserts
Inventory	0.0
Manufacturer Name	FYH BEARING UNITS
Minimum Buy Quantity	N/A
Weight / Kilogram	0
Product Group	M06110

UCP305 Bearing 2D drawings and 3D CAD models