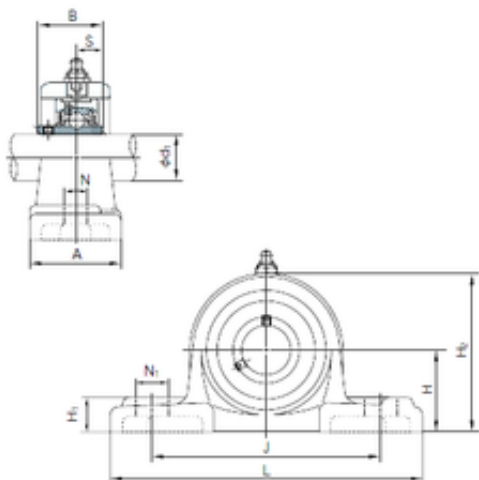




NACHI UCEP213 bearing units



Bearing No. UCEP213

Bore Diameter	65 mm
Width	65.1 mm
d	65 mm
A	83 mm
B	65.1 mm
H	76.2 mm
H1	32 mm
H2	154 mm
J	203 mm
L	286 mm
N	25 mm
N1	30 mm
S	25.4 mm
Bolt (G)	M20

UCEP213 Bearing 2D drawings and 3D CAD models