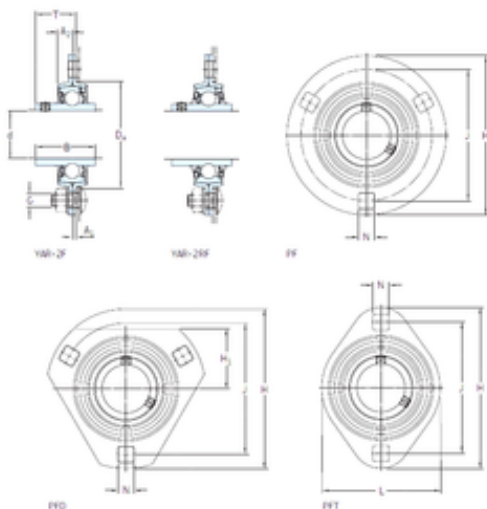




NSK bearing Trading Co., Ltd



SKF PFT 17 TF bearing units

Bearing No. PFT 17 TF

Bore Diameter	17 mm
Width	27,4 mm
d	17 mm
Da	49 mm
A1	2 mm
B	27,4 mm
G	6 mm
H	81 mm
H1	– mm
J	63 mm
L	59 mm
N	7,1 mm
T	17,9 mm
A2	7 mm
Weight	0,17 Kg
Basic dynamic load rating (C)	9,56 kN
Basic static load rating (C0)	4,75 kN
Housing material	Pressed steel
Da min.	44 mm
A ₁	2 mm
A ₂	7 mm
B ₄	4 mm
s ₁	15.9 mm
Basic dynamic load rating C	9.56 kN
Basic static load rating C ₀	4.75 kN
Fatigue load limit P _u	0.2 kN

PFT 17 TF Bearing 2D drawings and 3D CAD models



NSK bearing Trading Co., Ltd

Limiting speed	9500 r/min
Mass bearing unit	0.17 kg
Thread grub screw G ₂	M6x0.75
Hexagonal key size for grub screw N	3 mm
Recommended tightening torque for grub screw	4 N · m
Recommended diameter for attachment bolts, mm G	6 mm
Recommended diameter for attachment bolts, inch G	0.25 in