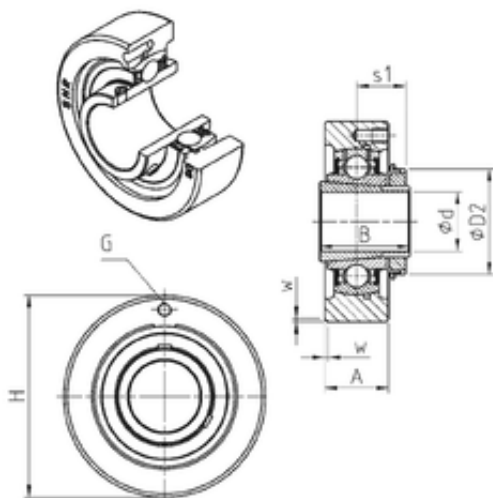




NSK bearing Trading Co., Ltd

SNR UKC306H bearing units

Bearing No. UKC306H



UKC306H Bearing 2D drawings and 3D CAD models

| | |
|-------------------------------|----------|
| Bore Diameter | 25 mm |
| Width | 38 mm |
| d | 25 mm |
| s1 | 23 mm |
| A | 28 mm |
| B | 38 mm |
| D2 | 45 mm |
| H | 100 mm |
| W | 2,5 mm |
| Thread (G) | M6x1 |
| Weight | 1,7 Kg |
| Basic dynamic load rating (C) | 27 kN |
| A3 | 2.5 mm |
| A5 | 23 mm |
| B1 | 38 mm |
| d1 | 45 mm |
| G | M6x1 |
| C | 27 kN |
| C0 | 15.2 kN |
| T min. | -20 ° C |
| T max. | 100 ° C |
| Adapter sleeve reference | H2306 |
| Designation of housing | C306- |
| Designation of bearing | UK306G2H |