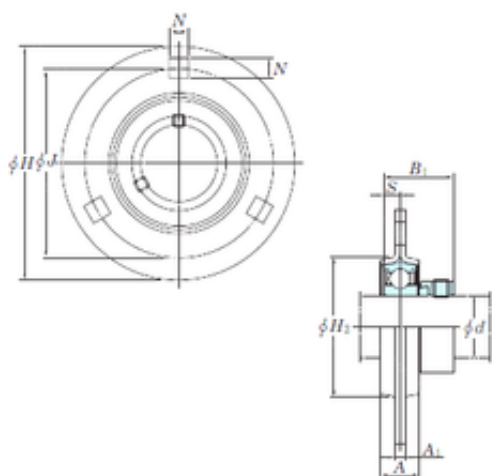




KOYO SAPF206 bearing units



Bearing No. SAPF206

Bore Diameter	25,4 mm
d	25,4 mm
A	19 mm
A1	5,2 mm
B1	33,9 mm
H	113 mm
H2	71 mm
J	90,5 mm
N	11 mm
S	8 mm
Bolt (G)	M10
Weight	0,65 Kg
Basic dynamic load rating (C)	19,5 kN
Basic static load rating (C0)	11,3 kN

SAPF206 Bearing 2D drawings and 3D CAD models