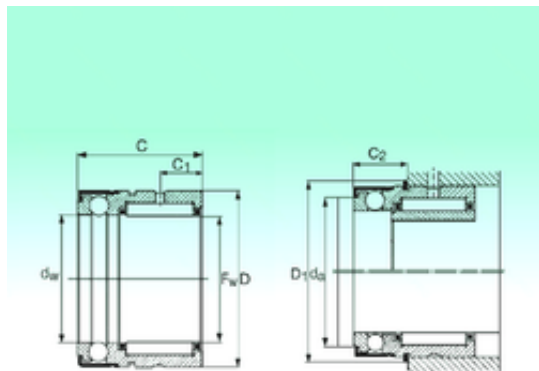




# NSK bearing Trading Co., Ltd



NX 15 Z Bearing 2D drawings and 3D CAD models

## NBS NX 15 Z complex bearings

Bearing No. NX 15 Z

Size	15x24x28 mm
Bore Diameter	15 mm
Outer Diameter	24 mm
Width	28 mm
d	15 mm
Fw	0,048 mm
D	24 mm
C	28 mm
C1	8 mm
D1	26,5 mm
C2	12,2 mm
da	19 mm
Dynamic load rating radial (C)	10,5 kN
Dynamic load rating axial (C)	5,9 kN
Static load rating radial (C0)	11,5 kN
Static load rating axial (C0)	10,5 kN