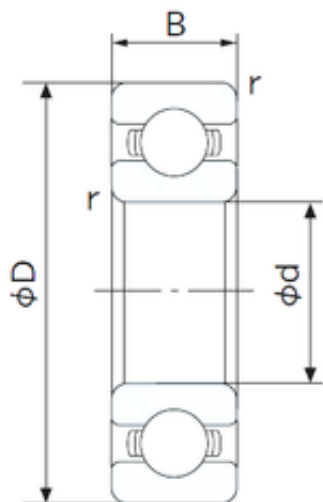




NSK bearing Trading Co., Ltd



130 mm x 230 mm x 40 mm 130 mm x 230 mm
x 40 mm NACHI 6226 deep groove ball bearings

Bearing No. 6226

6226 Bearing 2D drawings and 3D CAD models

Size	130x230x40 mm
Bore Diameter	130 mm
Outer Diameter	230 mm
Width	40 mm
d	130 mm
D	230 mm
B	40 mm
C	40 mm
r min.	3 mm
da min.	144 mm
Da max.	216 mm
ra max.	2.5 mm
Weight	5.82 Kg
Basic dynamic load rating (C)	167 kN
Basic static load rating (C0)	146 kN
(Grease) Lubrication Speed	2600 r/min
Category	Single Row Ball Bearings
Inventory	0.0
Manufacturer Name	NACHI
Minimum Buy Quantity	N/A
Weight / Kilogram	0
Product Group	B00308
Enclosure	Open
Precision Class	ABEC 1 ISO P0
Maximum Capacity / Filling	No



NSK bearing Trading Co., Ltd

Slot	
Rolling Element	Ball Bearing
Snap Ring	No
Internal Special Features	No
Cage Material	Steel
Internal Clearance	C0-Medium
Inch - Metric	Metric
Long Description	130MM Bore; 230MM Outside Diameter; 40MM Outer Race Width; Open; Ball Bearing; ABEC 1 ISO P0; No Filling Slot; No Snap Ring; No Internal Special Features; C0-Medium Internal Clearance; Steel Cage
Other Features	Deep Groove
Category	Single Row Ball Bearing
UNSPSC	31171504
Harmonized Tariff Code	8482.10.50.68
Noun	Bearing
Keyword String	Ball
Manufacturer URL	http://www.nachi-america.com
Outside Diameter	9.055 Inch 230 Millimeter
Bore	5.118 Inch 130 Millimeter
Inner Race Width	0 Inch 0 Millimeter
Outer Race Width	1.575 Inch 40 Millimeter
Bore Type	Cylindrical Bore
Configuration	Single Row
Bore Size	130 mm
Width	40 mm
Fillet Radius/Chamfer	3 mm
Dynamic Load Rating	167,000 N
Static Load Rating	146,000 N



NSK bearing Trading Co., Ltd

Limiting Speed - Grease	2,700 rpm
Limiting Speed - Oil	3,200 rpm
Factor f_0	14.5
Radial Clearance	0.018 to 0.048 mm
d_a (min)	144 mm
D_a (max)	216 mm
r_a (max)	2.5 mm