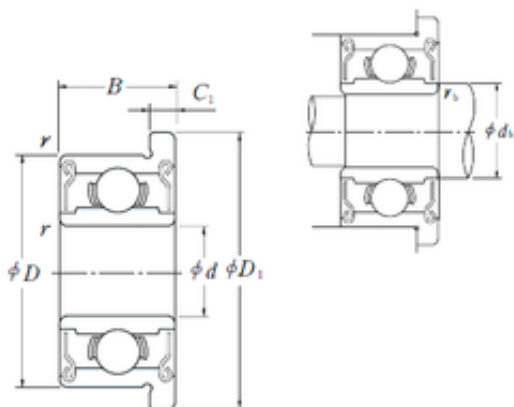




NSK bearing Trading Co., Ltd



3,967 mm x 7,938 mm x 3,175 mm 3,967 mm x 7,938 mm x 3,175 mm ISO FR155ZZ deep groove ball bearings

Bearing No. FR155ZZ

Dimensione	3.967x7.938x3.175 mm
Marchio	ISO
Diametro del foro	3,967 mm
Diametro esterno	7,938 mm
Larghezza	3,175 mm
d	3,967 mm
D	7,938 mm
D1	9,119 mm
B	3,175 mm
C	3,175 mm
r min.	0,1 mm
C1	0,91 mm

FR155ZZ Bearing 2D drawings and 3D CAD models